

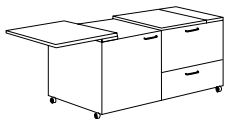
Meeting Accessories

Finishes	Code
Black	E
Boardwalk	BW
Driftwood	DW
Espresso	X
Graphite	GP
Mahogany	M
Monticello Maple	MM
Natural Maple	FM
Shoreline	SL
Windsor Cherry	WC

Pulls	Code
Brushed Chrome	W
Ebony	E
Ribbon	R
Swoosh	S
Oval Nickel	D
T-Bar Nickel	V

MEETING TABLES - SIN 33721

	Zone 1	Zone 2	Zone 3
H_2248	2183	2259	2336
Mobile Server Credenza			
	Cu. Ft.	Shp. Wt.	Fr. Cls.
	25.5	250	100
	Overall		
	48" W x 24.5" D x 30.75" H		



- Flip-open top with concealed hinges extend surface to 72"W and 31.75"H
- Inside Drawer Dimensions: 20" x 18" x 13" top right (stores 2 liter bottles upright) 20" x 18" x 8" bottom right

- Inside compartment dimensions: 22" x 21" x 24" left side
- Door compartment includes nine holes for ventilation of small refrigerator
- Casters for mobility

4% Surcharge In Effect

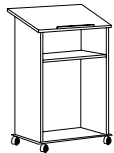
	Zone 1	Zone 2	Zone 3
H_2224	1925	1992	2060
Mobile Server Cart			
	Cu. Ft.	Shp. Wt.	Fr. Cls.
	16.7	150	100
	Overall		
	24.25" W x 24.5" D x 30.75" H		



- Flip-open top extends top surface to 36.25"W and 31.75"H
- Top drawer 20" x 18" x 13" H stores 2-liter soda bottles upright

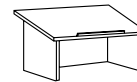
- Bottom drawer 20" x 18" x 8" H
- Casters for mobility
- 3/8" thick drawer bottoms

	Zone 1	Zone 2	Zone 3
HW_LS46C	1020	1056	1091
Standing Lectern			
	Cu. Ft.	Shp. Wt.	Fr. Cls.
	13.8	83	125
	Overall		
	24" W x 16.75" D x 46" H		



- Pencil/document catch on angled surface
- 2 storage shelves for presentation materials
- 4 casters (2 locking) included and to be field installed

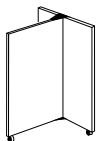
	Zone 1	Zone 2	Zone 3
HW_LS18	536	555	574
Table Top Lectern			
	Cu. Ft.	Shp. Wt.	Fr. Cls.
	5.0	20	125
	Overall		
	24" W x 14" D x 18" H		



- Fits on any table top
- Hardwood pencil/document ledge

- Mar-resistant laminate finish
- Non-skid gasket on bottom edges

	Zone 1	Zone 2	Zone 3
HW_MTB	1524	1577	1631
Mobile Teaming Board			
	Cu. Ft.	Shp. Wt.	Fr. Cls.
	13.2	178	100
	Overall		
	49" W x 24" D x 72" H		



- Dry-Erase whiteboard both sides
- Includes markers, eraser and mountable holder

- Assembly required
- Casters for mobility
- Tack board available

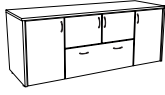
	Zone 1	Zone 2	Zone 3
HW_MBTB	666	689	713
Tack Board for Mobile Teaming Board			
	Cu. Ft.	Shp. Wt.	Fr. Cls.
	3.1	20	100
	Overall		
	47.5" W x .5" D x 36.5" H		



- Fully tackable surface
- Grade 1 fabric (Dorset Black)
- Mounts to Mobile Teaming Board


Meeting Accessories

	Zone 1	Zone 2	Zone 3
H_754	3072	3180	3287
Buffet Credenza with Bookcase Storage			
	Cu. Ft.	Shp. Wt.	Fr. Cls.
	39.0	375	125
	Overall		
	72" W x 24" D x 29" H		




- Storage compartment behind two doors top/center (36"W x 21"D x 12"H)
- Lateral file drawer with filing hardware bottom/center
- Bookcase storage compartments with one adjustable shelf behind door on right and left sides

	Zone 1	Zone 2	Zone 3
H_4D4SBC	3221	3334	3446
Buffet Credenza, 4 Drawer, 4 Storage			
	Cu. Ft.	Shp. Wt.	Fr. Cls.
	42	365	100
	Overall		
	63.5" W x 24" D x 36" H		




- Four drawers in top
- Two storage compartments with one adjustable shelf each behind four doors
- 36" buffet height

	Zone 1	Zone 2	Zone 3
H_6518SL	1804	1867	1930
Left Storage Tower			
	Cu. Ft.	Shp. Wt.	Fr. Cls.
	22.3	189	125
	Overall		
	18" W x 24" D x 65.5" H		



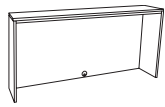
- Full-height door hinged on left
- Four adjustable shelves

	Zone 1	Zone 2	Zone 3
H_6518SR	1804	1867	1930
Right Storage Tower			
	Cu. Ft.	Shp. Wt.	Fr. Cls.
	22.3	189	125
	Overall		
	18" W x 24" D x 65.5" H		



- Full-height door hinged on right
- Four adjustable shelves

	Zone 1	Zone 2	Zone 3
H_717-O	1141	1181	1221
Video Overhead Cabinet			
	Cu. Ft.	Shp. Wt.	Fr. Cls.
	33.6	131	250
	Overall		
	72" W x 16" D x 36.5" H		



- Open cabinet for video monitor
- One grommet in center/ bottom of back panel
- Inside dimensions are 70"W x 15"D x 33"H