

HPFi

High Point, USA

ETC Model 461



FEATURES:

- **PNEUMATIC SEAT HEIGHT ADJUSTMENT**
To raise the seat height, remove pressure from seat and pull up on Lever (1). To lower seat height, sit in the chair and pull up on Lever (1).
- **SYNCHRO TILT**
To lock, return chair to the upright position and push Lever (1) in. To unlock, pull Lever (1) out.
- **TILT ADJUSTMENT**
For optimum comfort, this chair is equipped with an adjustment that will allow you to change the tension of the tilting feature. Turn the Knob (2) clockwise to increase tension. Turn the Knob (2) counter-clockwise to decrease (ease) the tension.

NOTE: Take care to not completely loosen back Tilt Adjustment knob (2).

- **SEAT SLIDER ADJUSTMENT**
To adjust the functional depth of the seat to adapt to the height of the chair occupant, pull back on the the Lever (3) while seated to allow the seat to slide forward or back.
- **ARM HEIGHT ADJUSTMENT**
To adjust the height of the Arms (4), push the button on the side of the Arms (4) in. Release the buttons to lock the Arms (4) at the desired height.
- **LUMBAR HEIGHT ADJUSTMENT**
You can manually adjust the location of the Lumbar Support to maximize support and comfort of your back.

OPERATION, CARE & CLEANING:

1. This chair was designed to seat and support only 1 person.
2. All bolts, screws and knobs must be securely tightened prior to use.
3. Check that all bolts, screws and knobs are tight every 3 months or as needed.
4. Take care not to overtighten the back tilt knob when increasing or decreasing tilt tension.
5. Responsibly dispose of packing materials. The plastic covering should not be used as a toy or a head covering as suffocation may result.
6. Only use this chair for its intended purpose. Do not use as a step ladder.
7. Use a mild detergent or soap for cleaning. Wipe cleaner off with a damp cloth.



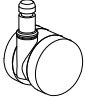
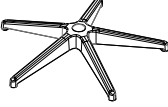

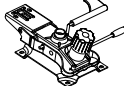
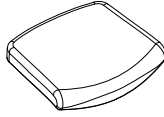
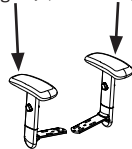
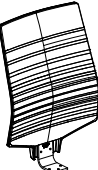



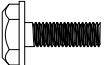
ETC Model 461 Assembly Instructions

High Point, USA

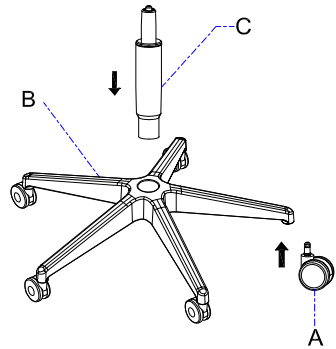
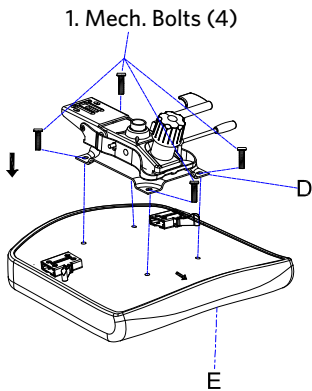
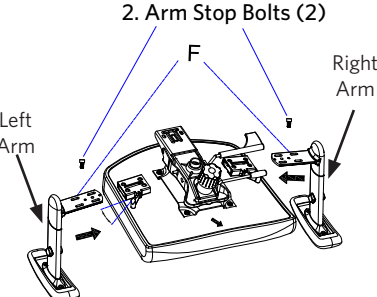
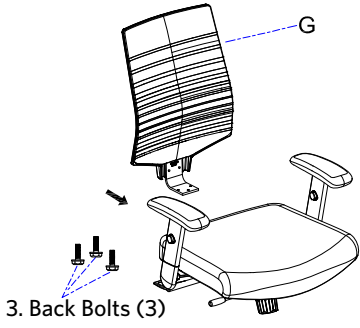
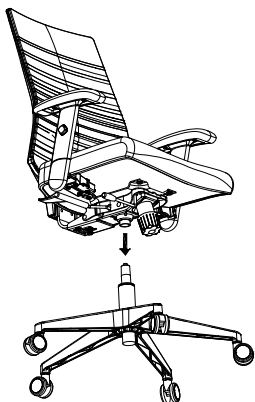
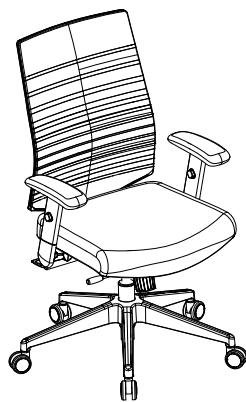
IMPORTANT:

- Carefully unpack all parts and identify them using the parts list below prior to beginning assembly.
- Do not tighten any screw until assembly has been completed. Once all assembly is complete, fully tighten each screw.

Parts List:

A. Casters (5) 	B. Base (1) 	C. Gas Lift (1) 	D. Mechanism (1) 	E. Seat (1) 	F. Arms (2) Right (R) and Left (L) 
G. Back (1) 		Assembly Tool (1) 	1. Mech. Bolts (4) 5/16" x 18 	2. Arm Stop Bolts (2) 1/4" x 20 	3. Back Bolts (3) 5/16" x 18 

Assembly Step:

Step 1 	Step 2 	Step 3  <p>NOTE: The arms are identified as left (L) and right (R). This image is reversed from the orientation of the chair when upright in use.</p>
Step 4 Screws 	Step 5 	Step 6 

If you have any difficulty with this installation/assembly, please contact our Customer Service department at 800.447.3462, ext. 2120.