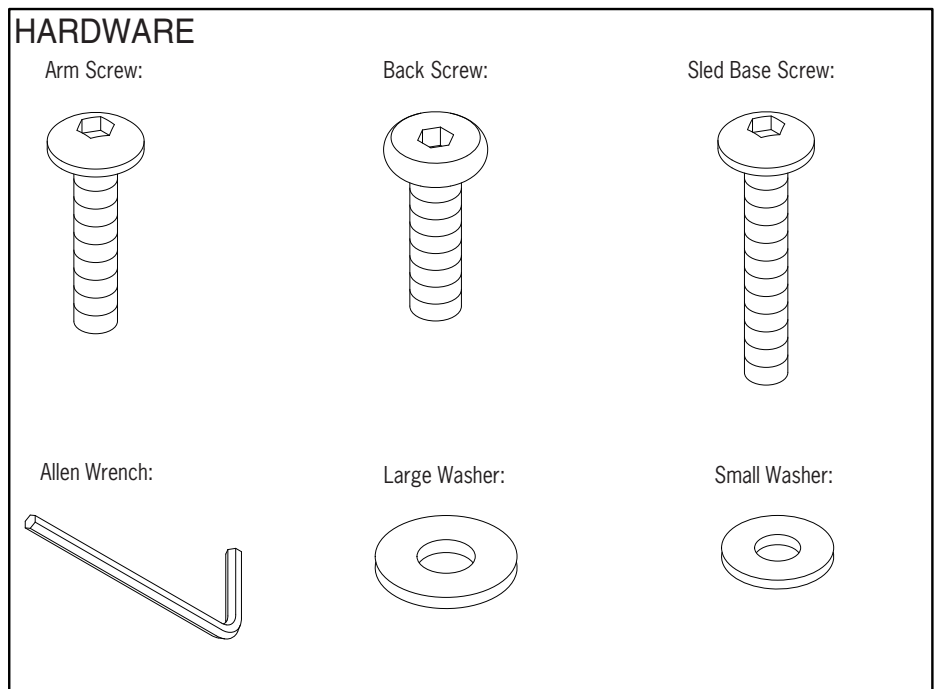
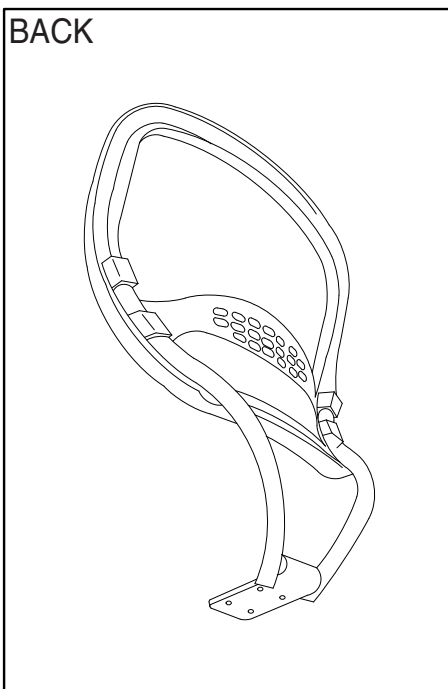
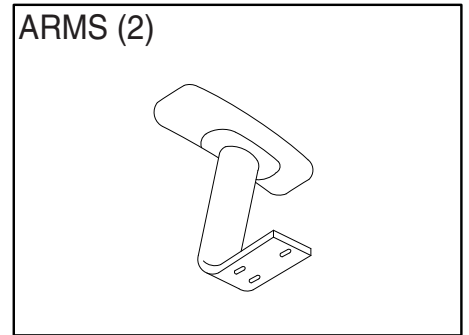
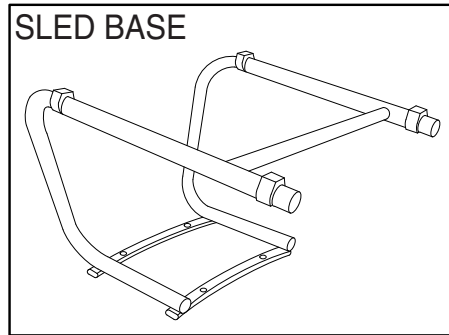
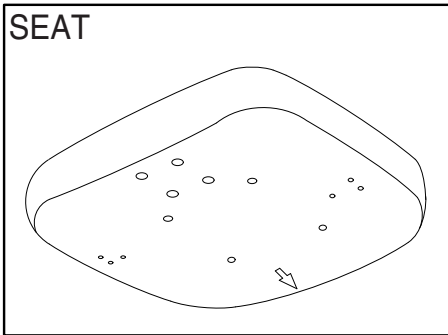
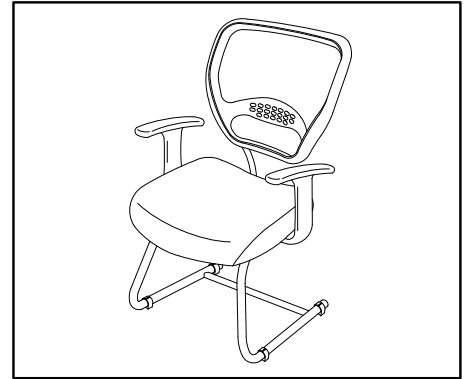


HPFi

High Point, USA

Nexstep Model 759 Parts List

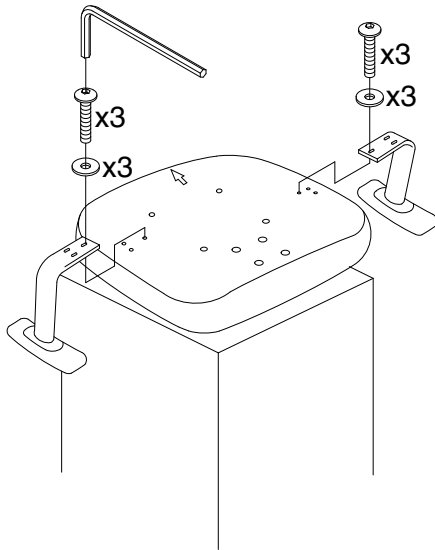


1. This chair was designed to seat and support only 1 person.
2. All bolts, screws and knobs must be securely tightened prior to use.
3. Check that all bolts, screws and knobs are tight every 3 months or as needed.
4. Take care not to overtighten the back tilt knob when increasing or decreasing tilt tension.
5. Responsibly dispose of packing materials. The plastic covering should not be used as a toy or a head covering as suffocation may result.
6. Only use this chair for its intended purpose. Do not use as a step ladder.
7. Use a mild detergent for cleaning.

If you have any difficulty with this installation/assembly, please contact our Customer Service department at 1-800-447-3462, ext. 2120.

Nexstep Model 759 Assembly Instructions

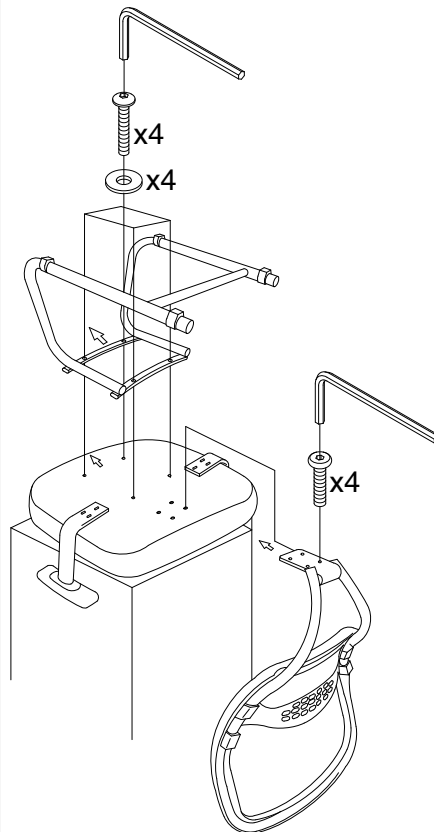
Attach Arms to Seat Cushion using Six Arm Screws and Six Small Washers.



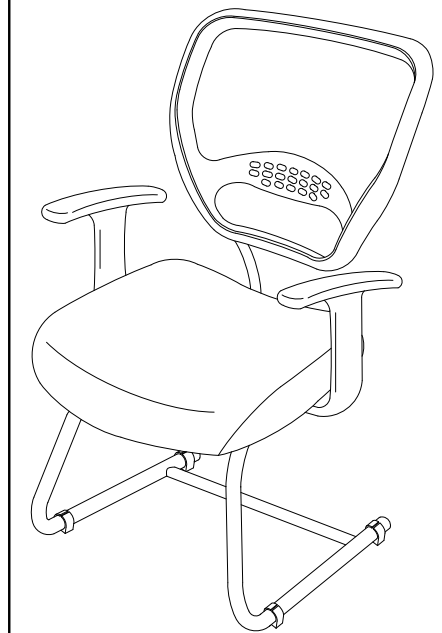
FULLY TIGHTEN ALL SCREWS WITH THE ALLEN WRENCH.

Attach Back Assembly to Seat Assembly with the arrow point towards the front of the chair, using Four Back Screws.

Attach Sled Base to Seat Assembly using Four Sled Base Screws and Four Large Washers.



FULLY TIGHTEN ALL SCREWS WITH THE ALLEN WRENCH.



ATTENTION: MAKE SURE ALL SCREWS ARE FULLY TIGHTENED BEFORE USING CHAIR.

ATTENTION: MAKE CERTAIN THAT ALL OF THE SCREWS ARE FULLY TIGHTENED PRIOR TO USING THE CHAIR.