



FEATURES:

- **PNEUMATIC SEAT HEIGHT ADJUSTMENT**
To raise the seat height, remove pressure from seat and pull up on Lever (1). To lower seat height, sit in the chair and pull up on Lever (1).
- **SYNCHRO TILT**
To lock, return chair to the upright position and push Lever (1) in. To unlock, pull Lever (1) out.
- **TILT ADJUSTMENT**
For optimum comfort, this chair is equipped with an adjustment that will allow you to change the tension of the tilting feature. Turn the Knob (2) clockwise to increase tension. Turn the Knob (2) counter-clockwise to decrease (ease) the tension.
NOTE: Be careful to not completely loosen the back tilt adjustment Knob (2).
- **ARM HEIGHT ADJUSTMENT**
To adjust the height of the Arms (3), push the button on the side of the Arms (3) in. Release the buttons to lock the Arms (3) at the desired height.

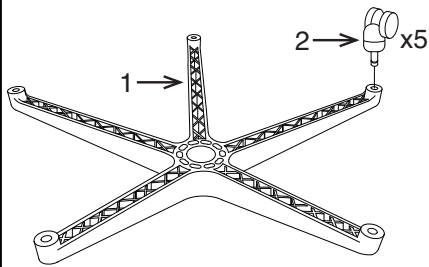
CARE & CLEANING:

1. This chair was designed to seat and support only 1 person.
2. All bolts, screws and knobs must be securely tightened prior to use.
3. Check that all bolts, screws and knobs are tight every 3 months or as needed.
4. Take care not to overtighten the back tilt knob when increasing or decreasing tilt tension.
5. Responsibly dispose of packing materials. The plastic covering should not be used as a toy or a head covering as suffocation may result.
6. Only use this chair for its intended purpose. Do not use as a step ladder.
7. Use a mild detergent for cleaning.

Nexstep Model 752 Assembly Instructions

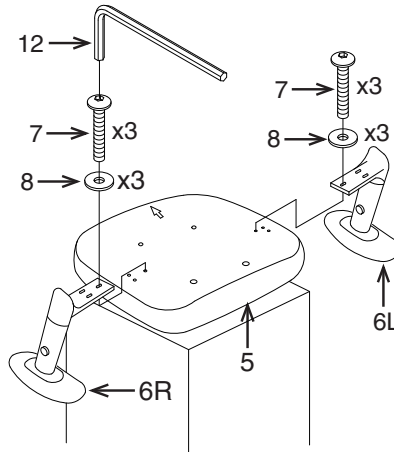
STEP 1

Insert five Casters (2) into Base (1), push hard until you feel or hear the Caster (2) snap into place.



STEP 2

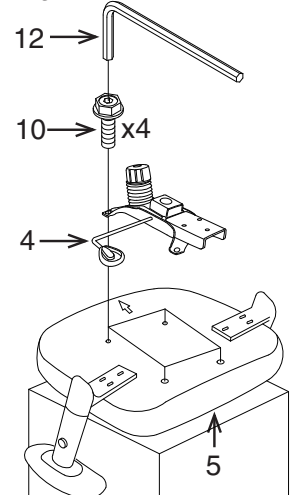
Align holes of Arms (6L & 6R) with holes of Seat Cushion (5), secure Arms (6L & 6R) using three Arm Screws (7) and three Flat Washers (8) for each arm.



FULLY TIGHTEN ALL SCREWS WITH THE ALLEN WRENCH (12)

STEP 3

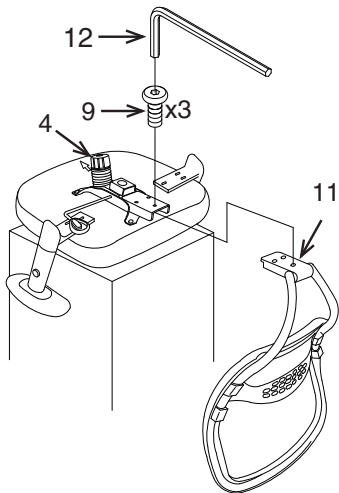
Attach Seat Plate (4) to Seat Cushion (5) with the arrow towards the front of the chair, using four Seat Plate Screws (11).



FULLY TIGHTEN ALL SCREWS WITH THE ALLEN WRENCH (12)

STEP 4

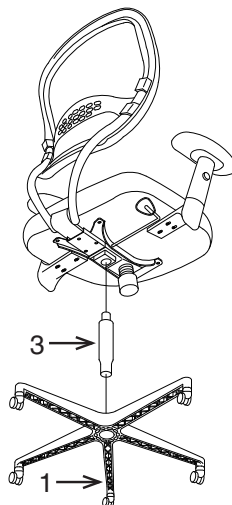
Attach Back Support (11) to rear of Seat Plate (4) using three Back Support Screws (9).



FULLY TIGHTEN ALL SCREWS WITH THE ALLEN WRENCH (12)

STEP 5

Insert Pneumatic Cylinder (3) into Base (1), place the assembled seat on top of Pneumatic Cylinder (3) and apply downward pressure.



STEP 6



ATTENTION: MAKE SURE ALL SCREWS ARE FULLY TIGHTENED BEFORE USING CHAIR.

If you have any difficulty with this installation/assembly, please contact our Customer Service department at 1-800-447-3462, ext. 2120.