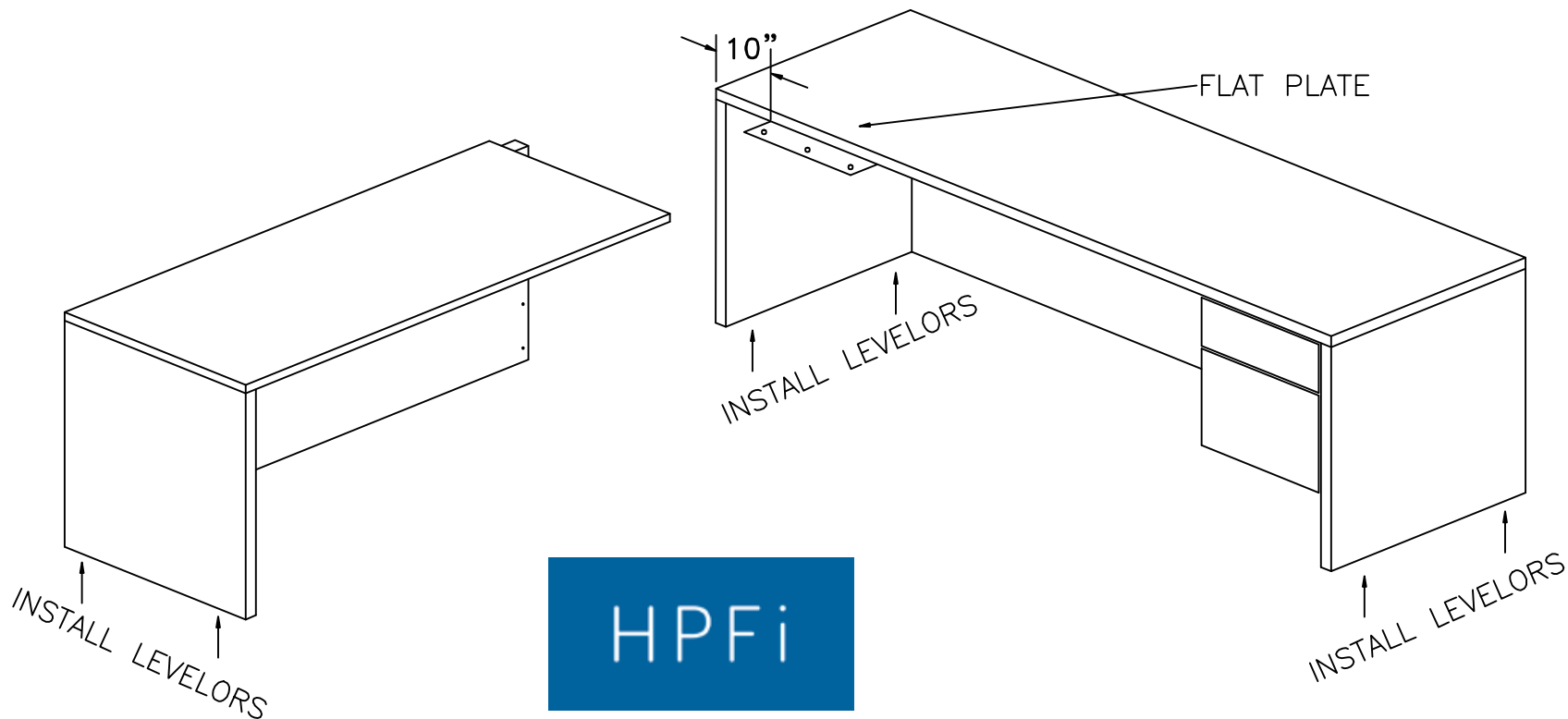


Return to Main Desk Assembly Instructions

- (1) CAREFULLY LAY UNIT(S) ON BACKSIDE AND INSTALL LEVELORS IF NOT PRE-INSTALLED. RETURN UNITS TO UPRIGHT POSITION.
- (1) LOCATE FLAT PLATE ON THE UNDERSIDE OF THE DESK OR CREDENZA TOP 10" FROM OUTSIDE CORNER USING (3) #8 X 3/4" SCREWS PROVIDED.
- (2) POSITION RETURN AGAINST DESK OR CREDENZA UNTIL TOPS ARE FLUSH AND BACK PANEL, IS RECESSED INSIDE OF OF LEG OF DESK OR CREDENZA. ADJUST LEVELORS AS NEEDED.
- (3) SCREW THE RETURN TOP TO THE FLAT PLATE USING THE REMAINING 3/4" SCREWS PROVIDED KEEPING THE TOPS FLUSH.
- (4) SCREW THE BACK PANEL TO THE LEG USING THE (3) #8x1-1/4" SCREWS PROVIDED.



www.hpfi.com