

# RECEPTION TOP & RETURN ASSEMBLY INSTRUCTIONS

## TRANSACTION COUNTER TOP INSTRUCTIONS

- (1) REMOVE CAMS & PLASTIC DOWEL PINS FROM HARDWARE PACK.
- (2) PRESS CAMS INTO ALL 15MM HOLES WITH ARROWS POINTED TO THROUGH HOLES.
- (3) PRESS PINS INTO THROUGH HOLES IN TOP OF PANELS AS SHOWN BELOW.
- (4) PLACE TOP ONTO UNIT ALIGNING HOLES IN TOP WITH PINS & FIRMLY PRESS INTO PLACE.
- (5) WITH SCREW DRIVER TURN CAMS 1/2 TURN CLOCKWISE TO LOCK.
- (6) INSERT PLASTIC CAM COVERS PROVIDED INTO ALL CAMS.

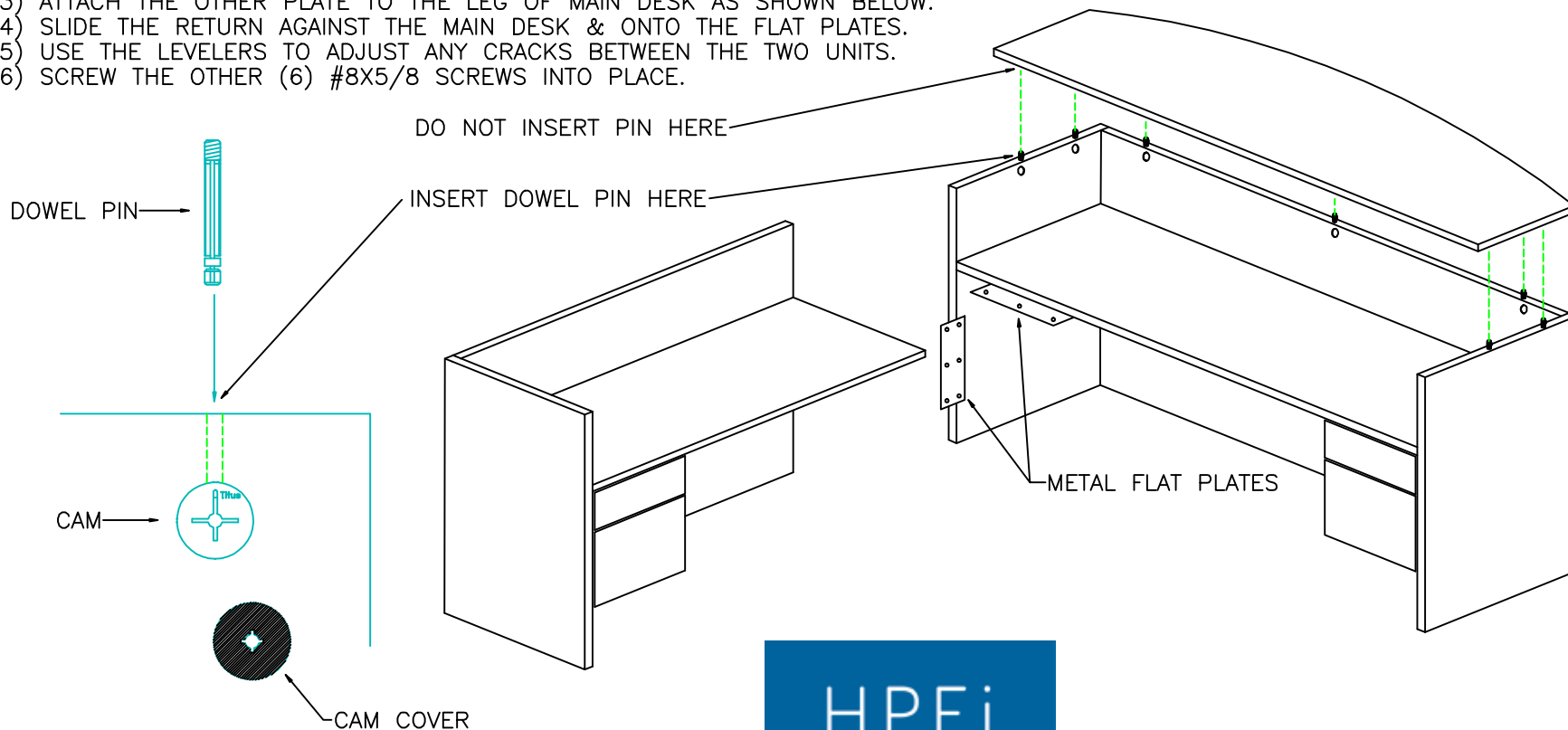
HARDWARE PACK # H9900058 BLACK  
 HARDWARE PACK # H9900065 CHERRY  
 HARDWARE PACK # H9900066 MAPLE

(7) CAMS  
 (7) DOWEL PINS  
 (7) CAM COVERS

## RETURN ASSEMBLY INSTRUCTIONS

- (1) REMOVE METAL FLAT PLATES & SCREWS FROM HARDWARE PACK.
- (2) ATTACH (1) PLATE TO UNDER SIDE OF THE MAIN DESK TOP.
- (3) ATTACH THE OTHER PLATE TO THE LEG OF MAIN DESK AS SHOWN BELOW.
- (4) SLIDE THE RETURN AGAINST THE MAIN DESK & ONTO THE FLAT PLATES.
- (5) USE THE LEVELERS TO ADJUST ANY CRACKS BETWEEN THE TWO UNITS.
- (6) SCREW THE OTHER (6) #8X5/8 SCREWS INTO PLACE.

HARDWARE PACK # H9900003  
 HARDWARE PACK # H9900013  
 HARDWARE PACK # H9900059



[www.hpfi.com](http://www.hpfi.com)