

# Hyperwork

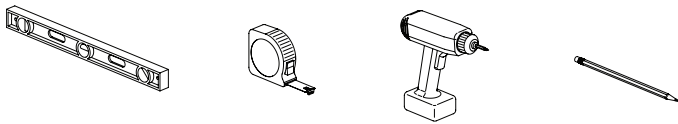


## Marker Boards

Wall Mount

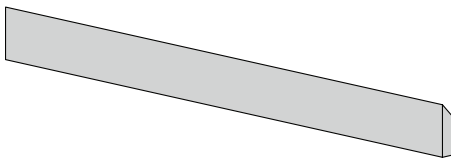
## Tools Needed

- Level
- Tape Measure (at least 10')
- Phillips screwdriver (manual or power)
- Pencil
- Stud locator (when attaching to drywall surface)



## Hardware Provided

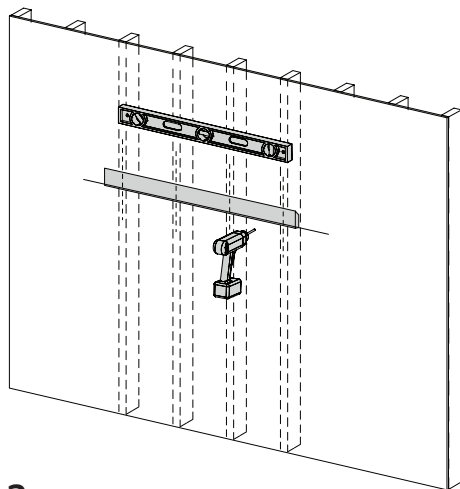
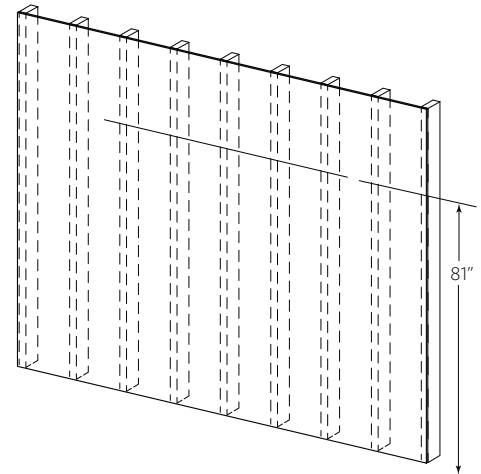
- Wall Hanger Rail



**NOTE:** No fasteners are included for attachment to the wall. It is the responsibility of the installer to provide the correct fasteners for the applicable (structural) wall type, e.g. block or drywall with studs. Be certain to use fasteners that will support the total 141 lb. weight of the cabinet.

## Step 1

At the desired location of the Wall Board, measure 81" from the floor and mark a 48" wide level locator line.



## Step 2

Align the Wall Hanger Rail to the locator line on the wall and attach to the wall using your installer-supplied fastening devices. Note that the Wall Hanger Rail is shorter than the rail on the back of the Marker Board so that it may be secured to wall studs (where applicable) and allow it to adjust side-to-side to the final desired location.

## Step 3

Place the Marker Board flush against the wall slightly above the mounted Wall Hanger Rail. Carefully lower the Marker Board onto the Wall Hanger Rail. The opposing angles of the Wall Hanger Rail and the Marker Board mounted rail should snugly engage.

