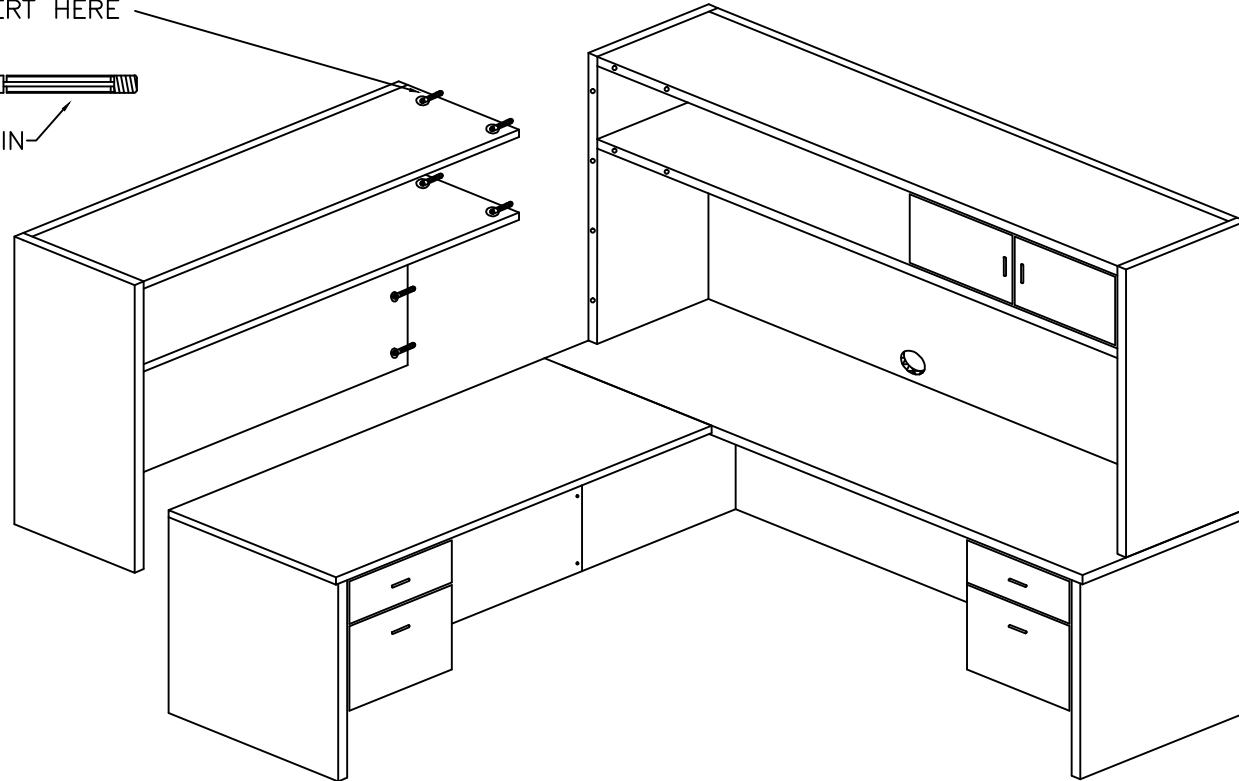
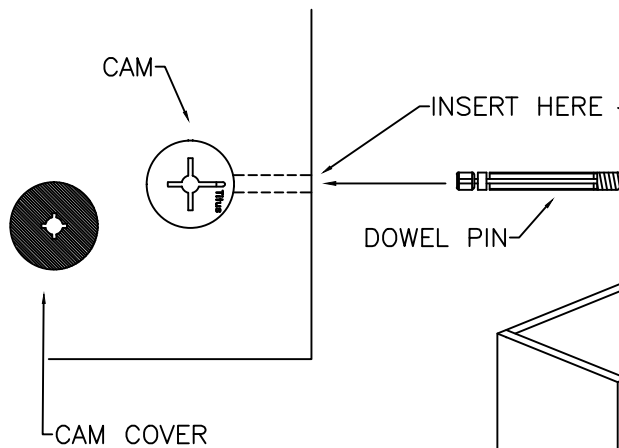


CORNER RETURN OVERHEAD ASSEMBLY INSTRUCTIONS

- (1) POSITION MAIN CORNER OVERHEAD ONTO DESK.
- (2) REMOVE CAMS & PLASTIC DOWEL PINS FROM HARDWARE PACK OF RETURN.
- (3) PRESS CAMS INTO ALL 15MM HOLES WITH ARROWS POINTED TO THROUGH HOLES.
- (4) PRESS PINS INTO THROUGH HOLES IN END OF PANELS INTO CAMS AS SHOWN BELOW.
- (5) POSITION RETURN CORNER ONTO RETURN DESK ALIGNING PINS WITH HOLES IN MAIN CORNER.
- (6) WITH SCREW DRIVER TURN CAMS 1/2 TURN CLOCKWISE TO LOCK.
- (7) INSERT PLASTIC CAM COVERS PROVIDED INTO ALL CAMS.

HARDWARE PACK # H9981822

(8) CAMS
(8) DOWEL PINS
(24) CAM COVERS



High Point, USA

DIR. \ASSEM\HWCH