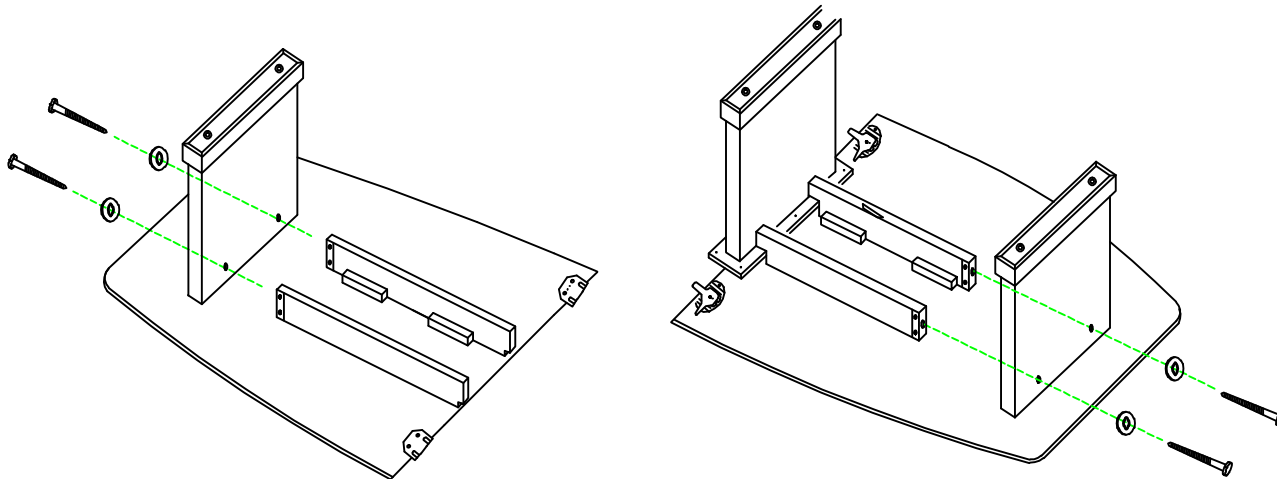


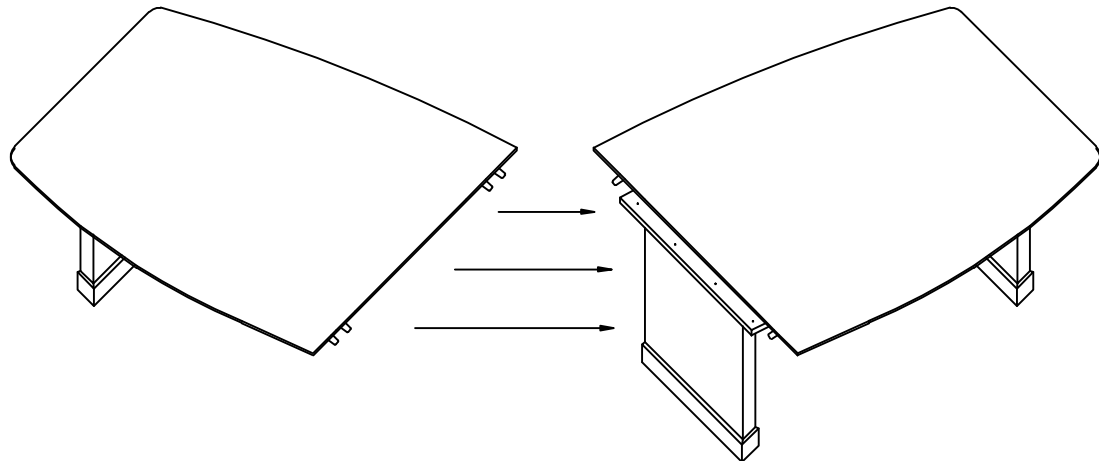
MEETING TABLE ASSEMBLY INSTRUCTIONS

- (1) TURN TABLE TOPS FACE DOWN ON A PROTECTED SURFACE.
- (2) ATTACH 1 OUTSIDE LEG TO STRETCHER USING BOLTS, WASHERS, AND HEX KEY INCLUDED IN HARDWARE PACK. INSTALL LEVELERS IN LEG.
- (3) LOCATE CENTER LEG FIRMLY AGAINST KNOTCHED STRETCHER END AND SCREW INTO TOP USING 4 - #8 1 1/2" SCREWS INCLUDED AND INSTALL LEVELERS IN LEG.
- (4) ATTACH THE OTHER OUTSIDE LEG TO STRETCHERS ON REMAINING 1/2 TOP USING BOLTS, WASHERS, AND HEX KEY. INSTALL LEVELERS IN LEG.

HARDWARE# H9949002
(4) BOLTS
(4) FLAT WASHERS
(12) #8x1-1/2" SCREWS
(1) HEX KEY



- (5) TURN TOP WITH 2 ASSEMBLED LEGS UPRIGHT.
- (6) TURN REMAINING TOP UPRIGHT AND MOVE INTO PLACE, BEING SURE TO FIT ALIGN LOCK TABS ACCORDINGLY, AND FASTEN ALIGN LOCK LATCHES.
- (7) ADJUST LEVELERS IN LEGS TO INSURE PROPER FIT.
- (8) FASTEN REMAINING HALF OF MOUNTING PLATE IN CENTER LEG TO TOP.



High Point, USA
www.hpfi.com