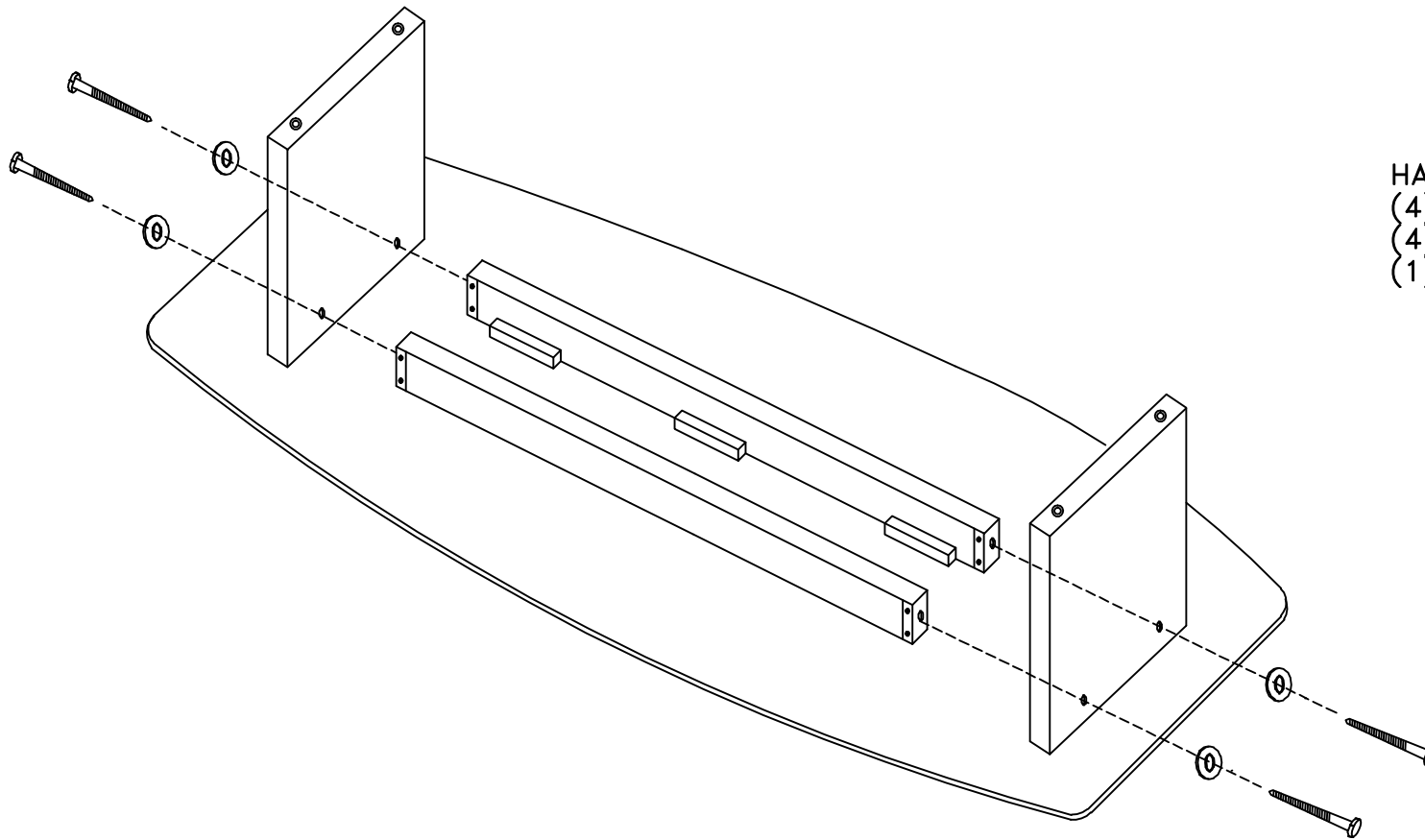


CONFERENCE TABLE ASSEMBLY INSTRUCTIONS

- (1) TURN TABLE TOP FACE DOWN ON PROTECTED SURFACE.
- (2) PLACE LEGS DOWN ONTO TOP ALIGNED WITH STRETCHERS.
- (3) SCREW BOLTS THROUGH LEGS INTO STRETCHERS WITH WRENCH.
- (4) TURN TABLE UPRIGHT & LEVEL AS NEEDED.



HARDWARE# H9949001

- (4) BOLTS
- (4) FLAT WASHERS
- (1) HEX KEY

HPFi

High Point, USA