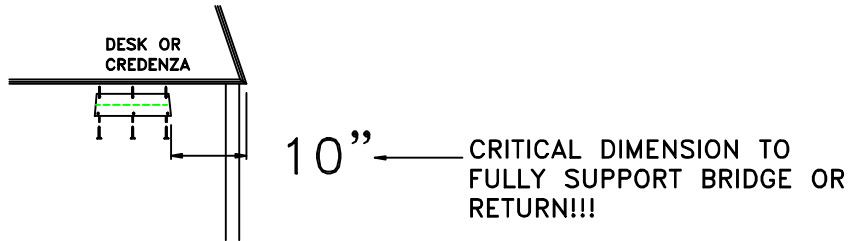


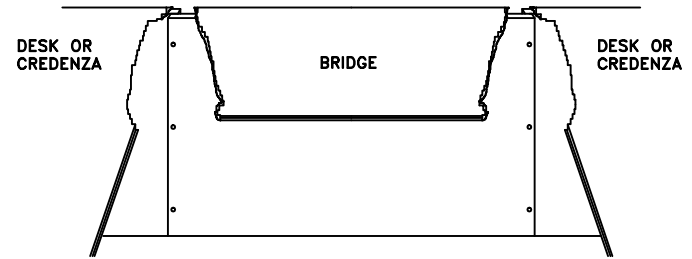
Bridge Assembly and Installation Instructions

Atlas, Hyperwork, Vision, Vitality

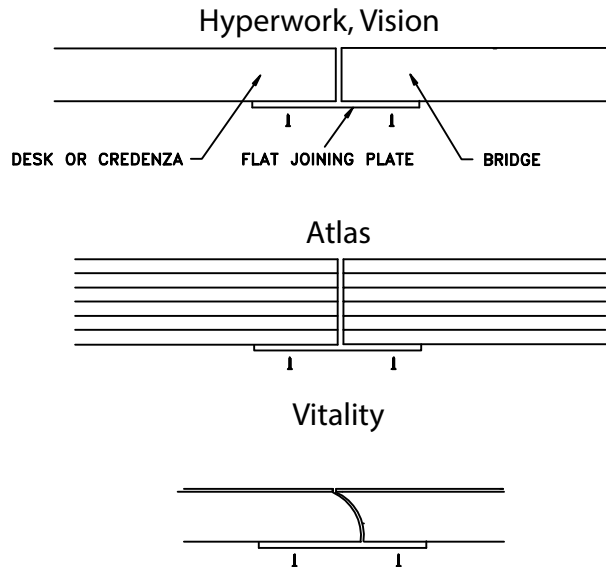
1. ATTACH FLAT JOINING PLATE TO THE UNDERSIDE OF THE DESK AND/OR CREENZA, 10" FROM CORNER OF TOP AS SHOWN. SECURE THIS PLATE USING (3) #8 X 3/4" SCREWS PROVIDED.



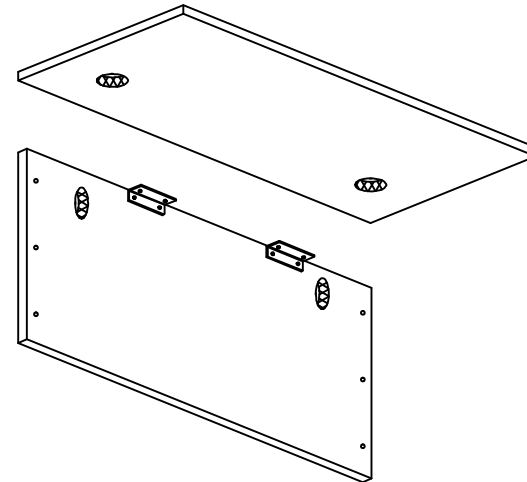
4. LEVEL ALL CONNECTING UNITS AND SECURE BRIDGE MODESTY PANEL TO END PANELS OF DESK AND/OR CREENZA OVERLAPPING EACH END PANEL EQUALLY. USE THE (6) #8- 1-1/2" SCREWS PROVIDED.



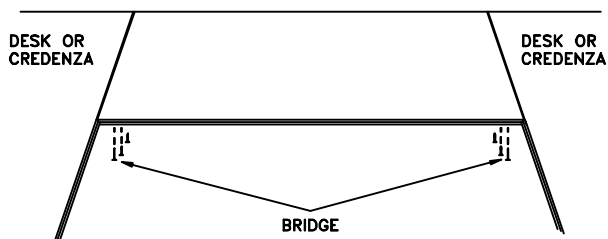
2. POSITION TOP ONTO MOUNTING PLATE OF DESK & OR CREENZA. MAKE SURE TOPS ARE FLUSH WITH EACH OTHER WITH NO CRACKS. SCREW THE OTHER (6) #8-3/4" SCREWS INTO FLAT PLATES.



5. SECURE BRIDGE MODESTY PANEL TO BRIDGE TOP USING THE (2) METAL ANGLE BRACKETS & (8) #8- 3/4" SCREWS PROVIDED.



3. ALIGN TOPS AND SECURE USING INCLUDED (3) - #8 X 3/4" SCREWS EACH FLAT PLATE.



www.hpfi.com